

NI 1450 Series Compact Vision System DIN Rail and Panel Mounting Installation Guide

The DIN-rail/panel mounting kit allows you to mount the NI 1450 Series Compact Vision System to a DIN rail, wall, or any flat surface.



Caution If you choose not to mount the NI 1450 on a DIN rail or flat surface, do *not* position the NI 1450 with the heat sinks resting on any surface. Doing so may cause the NI 1450 to overheat. Refer to Appendix B, *Specifications*, of the *NI 1450 Series Compact Vision System Hardware User Manual* for temperature specifications.

Mounting the NI 1450 on a DIN Rail

The following items are necessary for mounting the NI 1450 to a DIN rail:

- NI 1450 Series Compact Vision System
- DIN rail mounting kit, which includes the following items:
 - 1 DIN rail clip
 - 4 screws (4-40 × 1/4, flathead)
- #1 Phillips screwdriver

To mount the NI 1450 to a DIN rail, refer to Figure 1 while completing the following steps:

1. Align the screw holes of the DIN rail clip with the holes on the back side of the NI 1450.
2. Insert the four included flathead screws and tighten them until they are secure (3.5 in.-lb).
3. Attach the NI 1450 to the DIN rail.

National Instruments™, NI™, and ni.com™ are trademarks of National Instruments Corporation. Product and company names mentioned herein are trademarks or trade names of their respective companies. For patents covering National Instruments products, refer to the appropriate location: **Help»Patents** in your software, the `patents.txt` file on your CD, or ni.com/patents.

June 2003
323658A-01



Note You can ground the enclosure to the DIN rail by installing a grounding wire to the grounding lug on the NI 1450. For more information about the grounding lug, refer to the *Earth Ground Connection* section of Chapter 3, *LEDS, DIP Switches, and Connectors*, of the *NI 1450 Series Compact Vision System User Manual*.

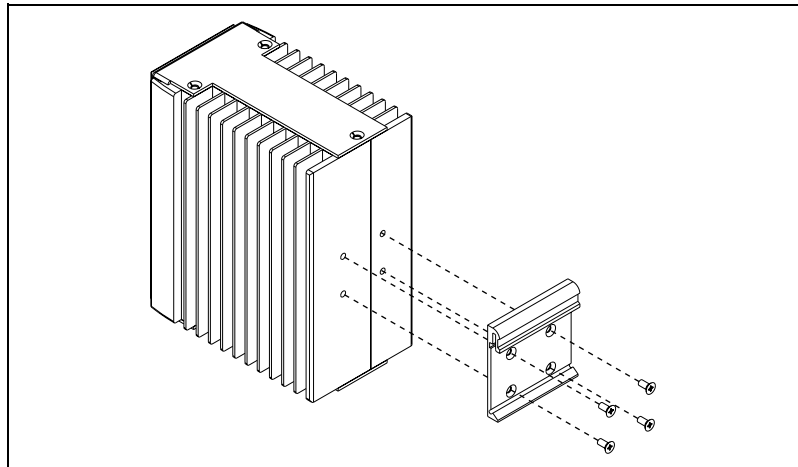


Figure 1. NI 1450 with DIN Rail Clip

Mounting the NI 1450 on a Panel



Note The NI 1450 supports a limited temperature range when mounted horizontally. For information about temperature ranges of the NI 1450, refer to Appendix B, *Specifications*, of the *NI 1450 Series Compact Vision System User Manual*.

The following items are necessary for mounting the NI 1450 on a panel:

- National Instruments NI 1450 Series Compact Vision System
- Panel mounting kit, which includes the following items:
 - Panel mount bracket
 - 4 screws (4-40 × 5/16, flathead)
- #1 Phillips screwdriver

To mount the NI 1450 to any flat surface, refer to Figure 2 while completing the following steps:

1. Align the screw holes of the straight mounting bracket with the holes on the back side of the NI 1450.
2. Insert the four flathead screws and tighten them until they are secure (3.5 in.-lb). Make sure that the heads of the screws are flush with the bracket.
3. Use pan-head screws #10/0.20 in. diameter (recommended) to mount the NI 1450 to any flat surface.

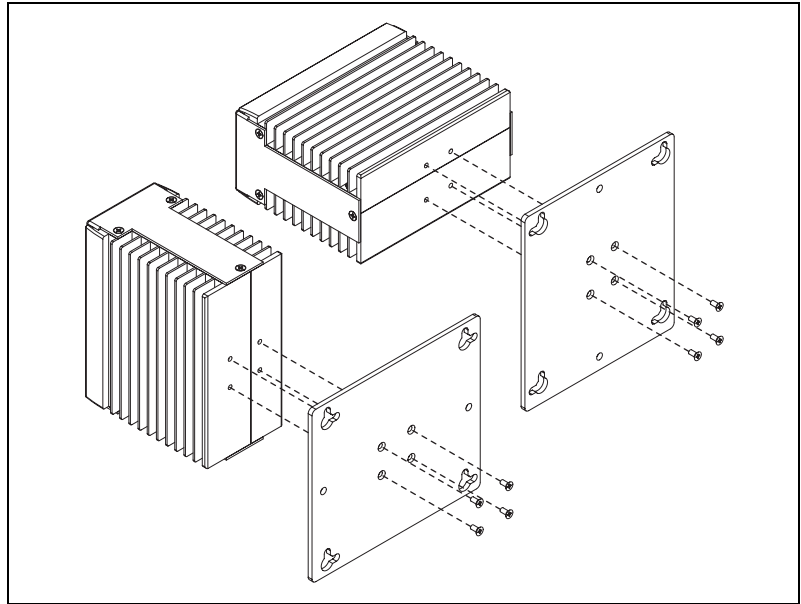


Figure 2. NI 1450 with Panel Mounting Bracket